



certificate of entry

American Black Hereford Record

This is to certify that the pedigree of

Issued **Apr 18, 2017**

REGISTRY # **HB004465** CALVED **Mar 21, 2013**
 NAME **JO BOOM ADVANTAGE 3008 {AMF, NHF, IEF, DDF}**
 TATTOO RE: LE: **3008** HERD ID

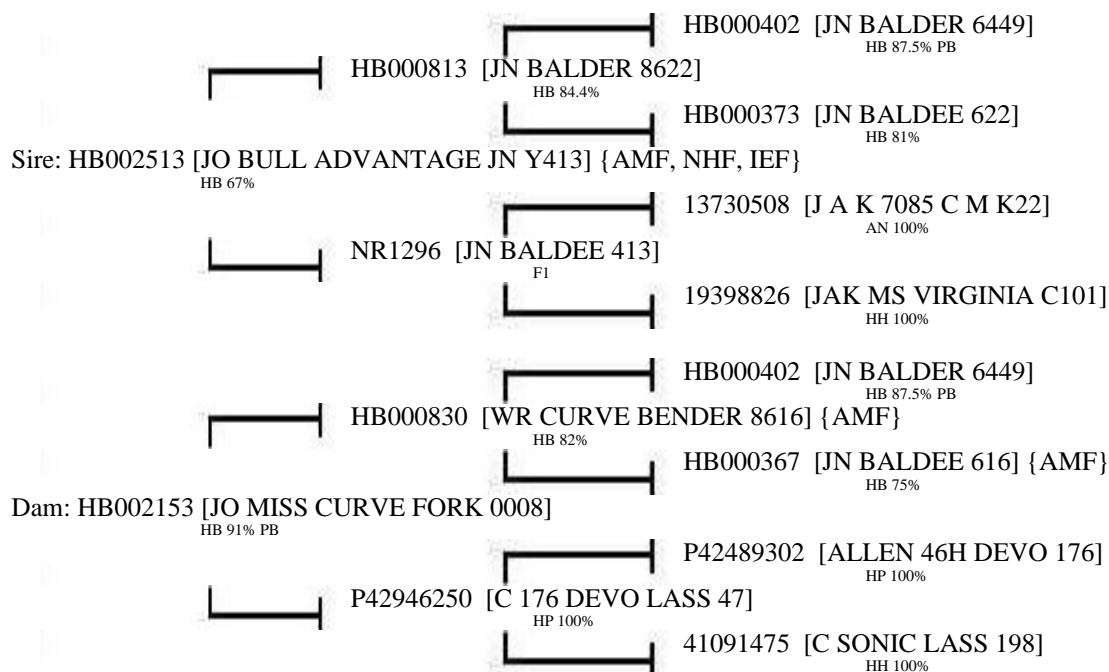
SEX **Bull**
HB 79%
HOMOBLACK
 BREEDER NUMBERS

BREEDER **JO BULLS**
 DATE OF OWNERSHIP
Mar 21, 2013

PRESENT OWNER(S)
JO BULLS

JOBULL

JOBULL



NAME: JO BOOM ADVANTAGE 3008		REGISTRY NO: HB004465									
PEDIGREE RELATIONSHIP	PRODUCTION RECORDS									MATERNAL RECORDS	
	CALVING EASE		BIRTH		WEANING		YEARLING		SCROTAL	C.E.	WEANING
	SCORE	HERDS	WEIGHT	HERDS	WEIGHT	HERDS	WEIGHT	HERDS	CIRCUMFERENCE	HERDS	PROG
	PROG	RATIO	PROG	RATIO	PROG	RATIO	PROG	PROG	DAUGHTER	DAUGHTER	
SUBJECT ANIMAL	1		95	# Contemps	715	# Contemps	1257	# Contemps	39		
			107.0	35	111.20	34	117.75	32			
SUBJECT ANIMALS PROGENY	1.0	2	86.3	2	552.3	3	934.2	1			
		50	104.2	48	96.7	43	97.4	16			
SIRE'S PROGENY	1.0	16	83.0	14	574.3	23	913.3	17		1	10
		95	104.6	92	99.5	60	100	41		11	
DAM'S PROGENY	1.0	1	88.0	1	630.8	3	1047.8	3			
		5	103.4	5	104.4	5	103.5	4			
EPD/ACC	BIRTH WEIGHT	WEAN WEIGHT	MAT MILK	MAT M&G	SCROTAL CIRCUM	YEARLING WEIGHT	ADDITIONAL INFORMATION				
SUBJECT ANIMAL	4.81	52.14	23.99	50.06		102.60	H/P/S/D	Polled			
	0.40	0.32	0.05			0.22	COLOR	BWF			
SIRE	3.48	47.58	23.71	47.50		80.00	FRAME SCORE	0			
	0.55	0.44	0.05			0.44	BIRTH TYPE	Single			
DAM	3.39	44.49	24.28	46.53		84.80	WEANING MGT CODE	1			
	0.25	0.22	0.05			0.21	YEARLING MGT CODE	1			
PATERNAL GRANDSIRE	3.66	47.99	22.68	46.68		76.29					
	0.64	0.56	0.08			0.57					
MATERNAL GRANDSIRE	0.36	34.63	23.93	41.25		76.85					
	0.63	0.49	0.06			0.43					